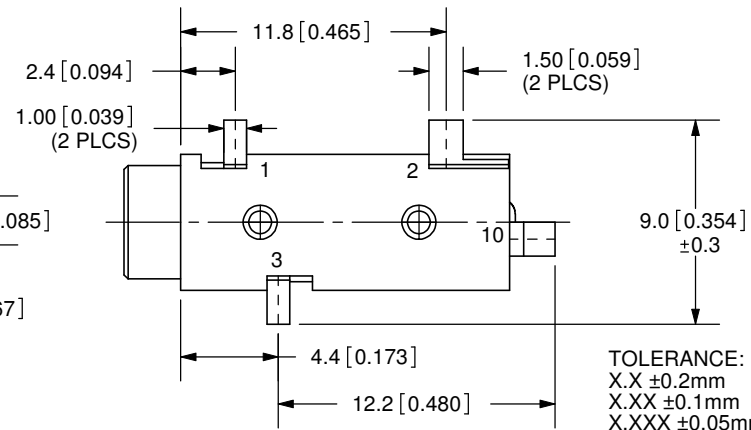
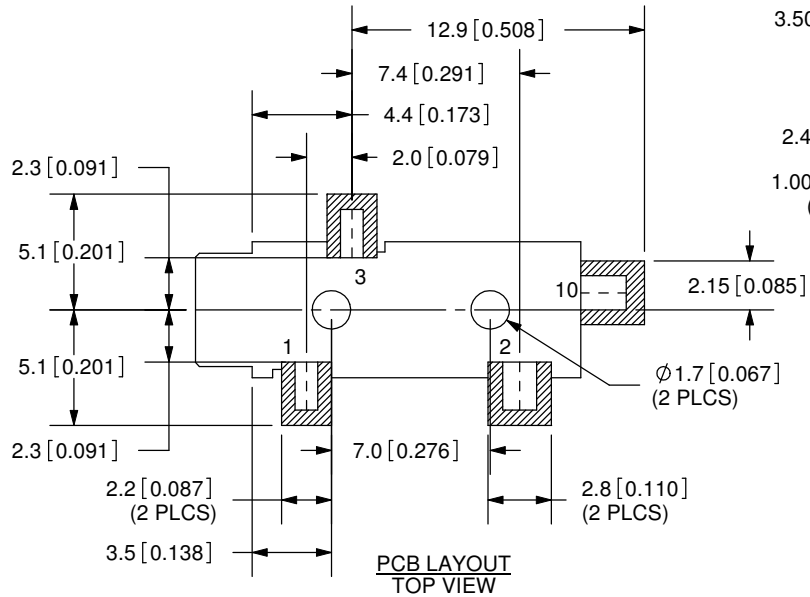
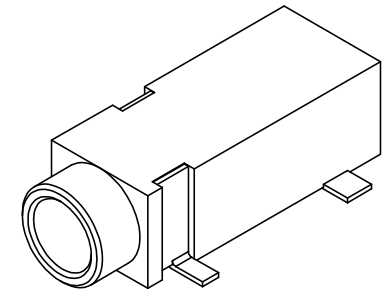
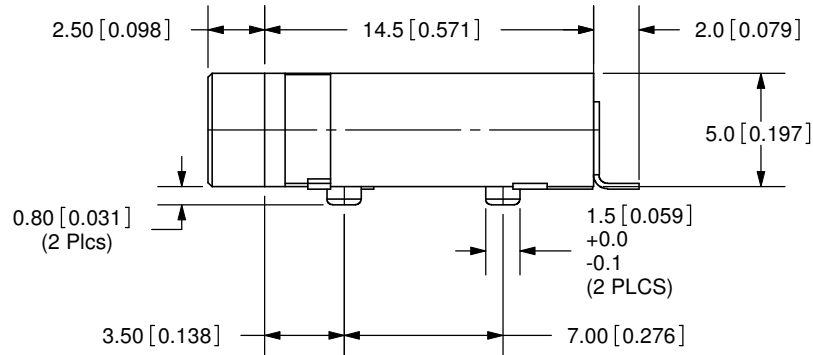
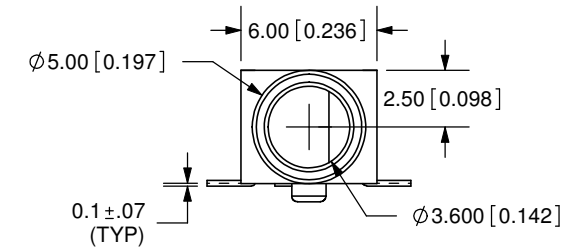
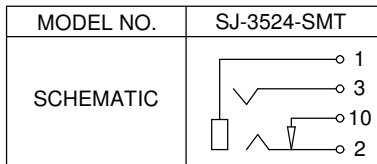


REV.	DESCRIPTION	DATE
A	NEW DRAWING	12/2/2005
B	Updated PCB layout	5/26/2006
C	Update Plastic Mold	12/18/07



TOLERANCE:
X.X ±0.2mm
X.XX ±0.1mm
X.XXX ±0.05mm



SPECIFICATIONS:
CONTACT RESISTANCE: 30m OHMS MAX
INSULATION RESISTANCE: 50M OHMS MIN: 500V DC
VOLTAGE WITHSTAND: 500V AC R.M.S. FOR 1 MINUTE
LIFE: 5,000 CYCLES

	MATERIAL	PLATING
TERMINAL 1	Copper Alloy	Silver
TERMINAL 2	Copper Alloy	Silver
TERMINAL 3	Copper Alloy	Silver
TERMINAL 10	Brass	Silver
HOUSING	PA6T	



9615 SW Allen Blvd., Ste. 103
Beaverton, OR 97005
Phone: 503-643-4899
800-275-4899
Fax: 503-372-1266
Website: www.cui.com

TITLE: 3.5mm SURFACE MOUNT AUDIO JACK-STEREO		REV: C
PART NO. SJ-3524-SMT		UNITS: MM [INCHES]
DRAWN BY: ZRJ	APPROVED BY:	SCALE: 3:1

PC FILE NAME:
SJ-3524-SMT

COPYRIGHT 2006 BY CUI INC.